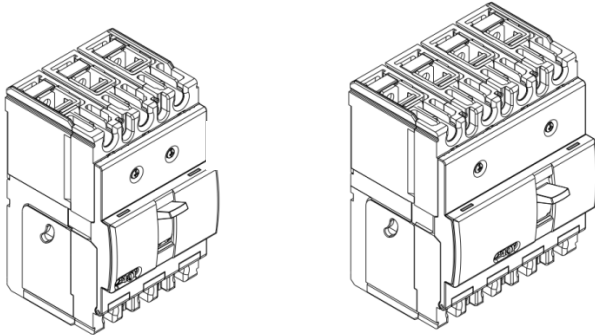


DPX³ 160

Thermal magnetic and trip-free switches

DPX³-I 160

Reference(s) : 420 000/ 001/ 002/003/ 004/ 005/ 006/ 007/ 010/ 011/ 012/ 013/ 014/ 015/ 016/ 017/ 040/ 041/ 042/ 043/ 044/ 045/ 046/ 047/ 050/ 051/ 052/ 053/ 054/ 055/ 056/ 057/ 080/ 081/ 082/ 083/ 084/ 085/ 086/ 087/ 090/ 091/ 092/ 093/ 094/ 095/ 096/ 097/ 120/ 121/ 122/ 123/ 124/ 125/ 126/ 127/ 130/ 131/ 132/ 133/ 134/ 135/ 136/ 137/ 198/ 199



CONTENTS

	PAGES
1. USE	1
2. RANGE	1
3. DIMENSIONS	1
4. OVERVIEW	2
5. ELECTRICAL AND MECHANICAL CHARACTERISTICS	3
6. CONFORMITY	4
7. EQUIPMENTS AND ACCESSORIES	4
8. CURVES	6

1. USE

DPX³ "moulded case" circuit breaker offers optimal solutions to answer to protection requirements of tertiary and industrial installations.

2. RANGE

Circuit breakers

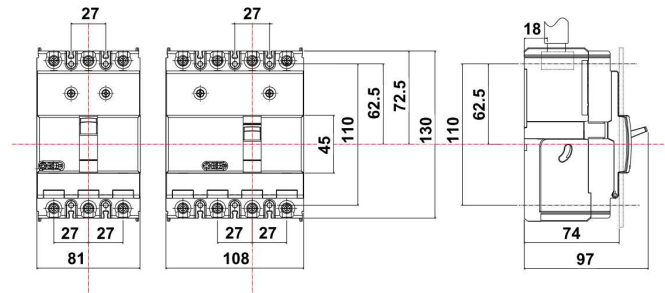
I _n (A)	16 kA		25 kA	
	3P	4P	3P	4P
16	4 200 00	4 200 10	4 200 40	4 200 50
25	4 200 01	4 200 11	4 200 41	4 200 51
40	4 200 02	4 200 12	4 200 42	4 200 52
63	4 200 03	4 200 13	4 200 43	4 200 53
80	4 200 04	4 200 14	4 200 44	4 200 54
100	4 200 05	4 200 15	4 200 45	4 200 55
125	4 200 06	4 200 16	4 200 46	4 200 56
160	4 200 07	4 200 17	4 200 47	4 200 57
I _n (A)	36 kA		50 kA	
	3P	4P	3P	4P
16	4 200 80	4 200 90	4 201 20	4 201 30
25	4 200 81	4 200 91	4 201 21	4 201 31
40	4 200 82	4 200 92	4 201 22	4 201 32
63	4 200 83	4 200 93	4 201 23	4 201 33
80	4 200 84	4 200 94	4 201 24	4 201 34
100	4 200 85	4 200 95	4 201 25	4 201 35
125	4 200 86	4 200 96	4 201 26	4 201 36
160	4 200 87	4 200 97	4 201 27	4 201 37

Switches

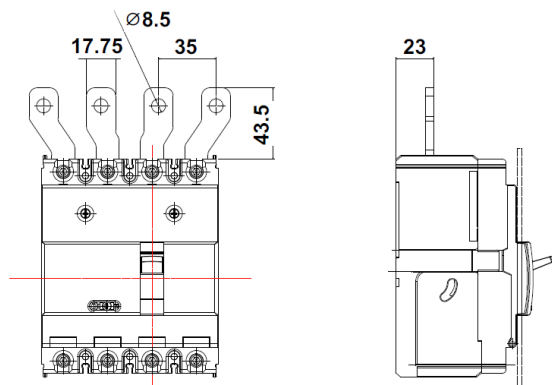
I _n (A)	3P	4P
160	4 201 98	4 201 99

3. DIMENSIONS

Fixed version



Fixed version, front terminals



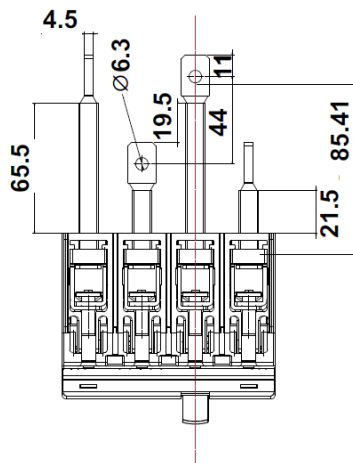
DPX³ 160

Thermal magnetic and trip-free switches

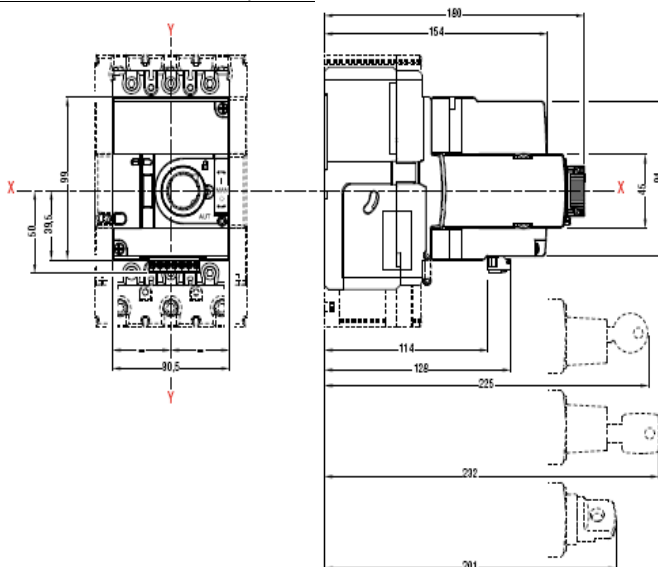
DPX³-I 160

Reference(s) : 420 000/ 001/ 002/003/ 004/ 005/ 006/ 007/ 010/ 011/ 012/ 013/ 014/ 015/ 016/ 017/ 040/ 041/ 042/ 043/ 044/ 045/ 046/ 047/ 050/ 051/ 052/ 053/ 054/ 055/ 056/ 057/ 080/ 081/ 082/ 083/ 084/ 085/ 086/ 087/ 090/ 091/ 092/ 093/ 094/ 095/ 096/ 097/ 120/ 121/ 122/ 123/ 124/ 125/ 126/ 127/ 130/ 131/ 132/ 133/ 134/ 135/ 136/ 137/ 198/ 199

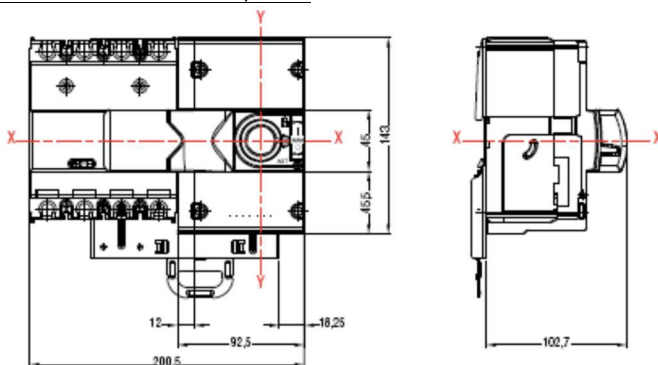
Fixed version, rear terminals



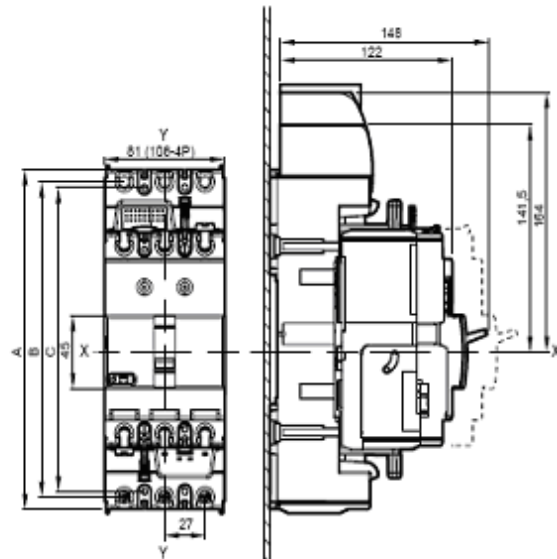
Fixed version, front motor operator



Fixed version, side motor operator



Plug-in version



	A	B	C
DPX ³ 160 - 3P	208	193	186
DPX ³ 160 - 4P	238	223	216

4. OVERVIEW

4.1 Supplied

Supplied with

- fixing screws
- cage terminals (70mm² flexible cable or 95mm² rigid cable)

4.2 Mounting possibilities

On plate:

- Vertical
- Horizontal
- Supply inverter type

On DIN rail:

- Vertical
- Supply inverter type

DPX³ 160

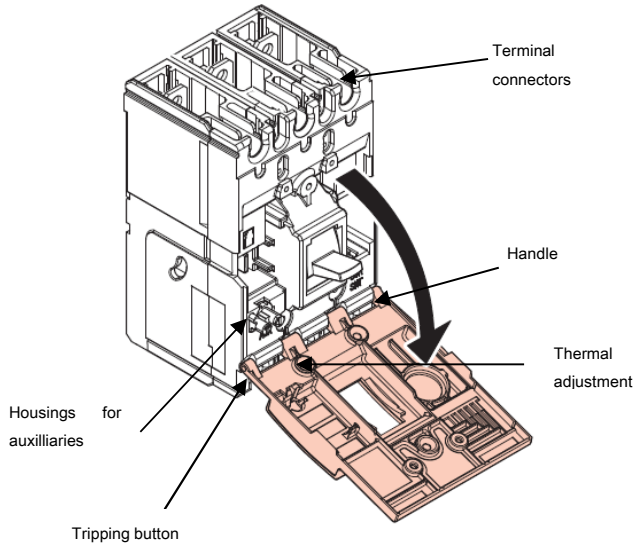
Thermal magnetic and trip-free switches

DPX³-I 160

Reference(s) : 420 000/ 001/ 002/003/ 004/ 005/ 006/ 007/ 010/ 011/ 012/ 013/ 014/ 015/ 016/ 017/ 040/ 041/ 042/ 043/ 044/ 045/ 046/ 047/ 050/ 051/ 052/ 053/ 054/ 055/ 056/ 057/ 080/ 081/ 082/ 083/ 084/ 085/ 086/ 087/ 090/ 091/ 092/ 093/ 094/ 095/ 096/ 097/ 120/ 121/ 122/ 123/ 124/ 125/ 126/ 127/ 130/ 131/ 132/ 133/ 134/ 135/ 136/ 137/ 198/ 199

5. ELECTRICAL AND MECHANICAL CHARACTERISTICS

5.1 Main parts constituting the circuit breaker



Circuit Breaker	DPX ³ 160 E/B/F/N (16kA, 25kA, 36kA, 50kA)
Rated current (A)	16, 25, 40, 63, 80, 100, 125, 160
Poles	3 - 4
Rated insulation voltage U _i (V)	800
Rated operating voltage (50/60Hz) U _e (V)	690
Rated impulse withstand current U _{imp} (kV)	8
Rated frequency (Hz)	50 - 60
Reference ambient temperature (°C)	40 - 50
Operating temperature (°C)	-25 ÷ 70
Mechanical endurance (cycles)	25000
Mechanical endurance with motor control (cycles)	25000
Electrical endurance at I _n (cycles)	8000
Electrical endurance at 0.5 I _n (cycles)	10000
Utilization category	A
Suitable for isolation	Yes
Type of protection	Thermal-magnetic
Magnetic adjustment	400A (I _n up to 40A); 10 x I _n (I _n > 40A)
Thermal adjustment	(0.8 ÷ 1) x I _n
Neutral protection for 4P version (%I _{th})	100
Dimensions (W x H x D) (mm) 3P	80 x 130 x 97
Dimensions (W x H x D) (mm) 4P	110 x 130 x 97
Weight (kg)	1.2(3P) - 1.4(4P)

Switch	DPX ³ -I
Uninterrupted nominal current I _n (A)	160
Short-time resistive current I _{cw} (kA) for 1s	2
Rated short-circuit making capacity I _{cm} (kA)	3
Isolated voltage U _i (V AC)	800
Maximum rated operating voltage U _e (V AC/DC)	690
Rated impulse withstand voltage U _{imp} (kV)	8
Utilisation category	AC23A
Rated frequency (Hz)	50-60
Operating temperature (°C)	-25 ÷ 70
Mechanical endurance (cycles)	25000
Mechanical endurance with motor control (cycles)	25000
Electrical endurance (cycles) at I _n	8000
Electrical endurance (cycles) at 0.5 I _n	10000
Dimensions (W x H x D) (mm) 3P	80 x 130 x 97
Dimensions (W x H x D) (mm) 4P	110 x 130 x 97
Weight (kg)	1.2(3P) - 1.4(4P)

5.2 Breaking capacity (kA)

		Breaking capacity (kA) & I _{cs}			
		3P-4P	3P-4P	3P-4P	3P-4P
IEC 60947-2	U _e /I _{cu}	E	B	F	N
	240 V AC	25	35	50	65
	415 V AC	16	25	36	50
	500 V AC	8	10	12	15
	690 V AC	5	5	8	10
	250 V DC	10	10	10	10
	I _{cs} (% I _{cu})	100	100	100	100
Rated making capacity under short circuit I _{cm}					
	I _{cm} (kA) at 415V	32	53	76	105
NEMA AB-1	240 V AC	25	35	50	65
	500 V AC	8	10	12	15
	690V AC	5	5	8	10

5.3 Rated current (I_n) at 40°C / 50°C

I _n (A)	Assigned current trip			
	thermal		magnetic	
	L1-L2-L3	N	L1-L2-L3	N
16	16	16	400	400
25	25	25	400	400
40	40	40	400	400
63	63	63	630	630
80	80	63	800	800
100	100	63	1000	1000
125	125	80	1250	1250
160	160	100	1600	1600

5.4 Power losses per pole under I_n

Circuit breaker

	Power losses per pole (W)							
	I _n (A)							
	16	25	40	63	80	100	125	160
Cage terminals	3.1	5.7	6.6	10.6	6.7	8.5	9.2	13.7

Values in the table are referred to single phase and they are misured with cold breaker (with hot breaker, increase of 10% must be considered)

5.5 Load operations

Loads operation	
Rated current (A)	I _n = 160A
Opening (N)	45
Closing (N)	78
Reset (N)	75

DPX³ 160

Thermal magnetic and trip-free switches

DPX³-I 160

Reference(s) : 420 000/ 001/ 002/003/ 004/ 005/ 006/ 007/ 010/ 011/ 012/ 013/ 014/ 015/ 016/ 017/ 040/ 041/ 042/ 043/ 044/ 045/ 046/ 047/ 050/ 051/ 052/ 053/ 054/ 055/ 056/ 057/ 080/ 081/ 082/ 083/ 084/ 085/ 086/ 087/ 090/ 091/ 092/ 093/ 094/ 095/ 096/ 097/ 120/ 121/ 122/ 123/ 124/ 125/ 126/ 127/ 130/ 131/ 132/ 133/ 134/ 135/ 136/ 137/ 198/ 199

5.6 Functioning in particular conditions

5.6.1 Temperature

I _n (A)	Temperature T _a (°C)											
	-25	-20	-10	-5	0	10	20	30	40	50	60	70
16	23	22	21	21	20	19	18	17	16	16	15	14
25	37	35	34	33	32	30	28	27	25	25	23	22
40	55	54	52	51	50	47	43	43	40	40	36	35
63	90	88	85	84	82	81	71	67	63	63	58	55
80	115	113	111	109	107	97	87	83	80	80	74	71
100	129	126	123	122	117	111	109	105	100	100	94	93
125	159	157	154	152	149	138	134	131	125	125	112	110
160	218	215	207	200	198	190	176	168	160	160	146	138

5.6.2 Altitude

Altitude (m)	2000	3000	4000	5000
U _e (V)	690	590	520	460
I _n (A) (T _a = 40°C/50°C)	I _n	0.98 x I _n	0.93 x I _n	0.9 x I _n

5.6.3 Use in DC

See table B.

6. CONFORMITY

DPX³ range of product concerning circuit-breakers and switch-disconnectors are in full compliance with the EN/IEC standard 60947-2 and 60947-3 respectively.

The certificate are issued by LOVAG and/or by IECEE CB-scheme certification scheme.

All the product range are CE, CCC, EAC, ANCE marked.

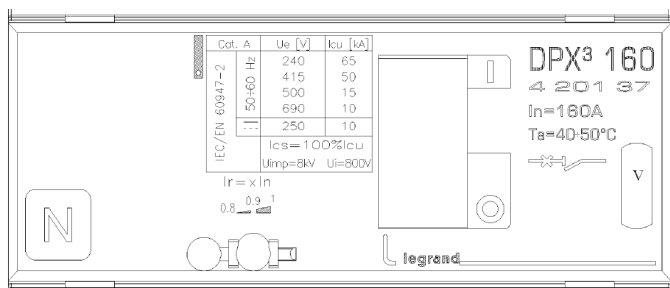
DMX³ are full in compliance with the Shipping Register of Lloyds, RINA, Bureau Veritas, Germanische Lloyds, Norske Veritas and ABS.

" Tropical climate " :

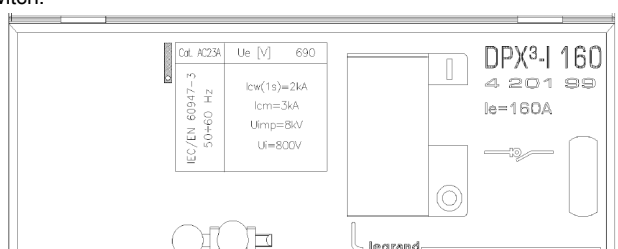
- execution II (all climates) according to IEC 60947-1 Annex Q, Cat. F.

6.1 Marking

Circuit breaker :



Switch:



7. EQUIPMENTS AND ACCESSORIES

7.1 Releases

- Shunt releases

12 V ac/dc	ref. 4 210 12
24 V ac/dc	ref. 4 210 13
48 V ac/dc	ref. 4 210 14
110-130 V ac	ref. 4 210 15
110-130 V dc	ref. 4 210 85
200-277 V ac	ref. 4 210 16
200-277 V dc	ref. 4 210 86
380-480 V ac	ref. 4 210 17

Maximum power = 400 VA / W

- Undervoltage releases

12 V ac/dc	ref. 4 210 18
24 V ac/dc	ref. 4 210 19
48 V ac/dc	ref. 4 210 20
110-130 V ac/dc	ref. 4 210 21
200-240 V ac	ref. 4 210 22
277 V ac	ref. 4 210 23
380-415 V ac	ref. 4 210 24
440-480 V ac	ref. 4 210 25

Maximum power = 4 VA

Circuit breaker opening time < 50 ms

- Time-lag undervoltage releases (800ms)

Time-lag modules with voltage:

230 V ac	ref. 0 261 90
400 V ac	ref. 0 261 91

Release:

To be equipped with a time-lag module ref. 4 210 98

7.2 Auxiliary contact

set of connectors for aux contacts	ref. 4 210 44
aux contacts (1NC and 1 NO) for all rotary handles	ref. 4 210 10
signalling contact plugged-in version	ref. 4 210 48
Changeover switch 3A – 250 VAC	ref. 4 210 11

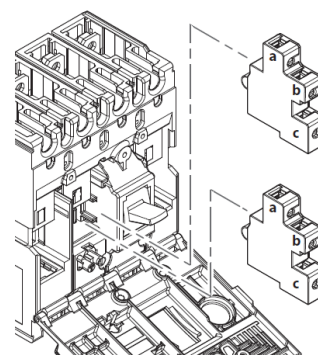
To show the state of the contacts or opening of the DPX³ on a fault:

Auxiliary contact (standard) OC
Fault signal CTR

Auxiliary contact		
Nominal voltage (V _n)	V (AC or DC)	24 to 250
Intensity (A)	24 V DC	5
	48 V DC	1.7
	110 V DC	0.5
	230 V DC	0.25
	110 V AC	4
	230/250 V AC	3

Configurations:

DPX³ 160 → 1 auxiliary contact + 1 fault signal



DPX³ 160

Thermal magnetic and trip-free switches

DPX³-I 160

Reference(s) : 420 000/ 001/ 002/003/ 004/ 005/ 006/ 007/ 010/ 011/
012/ 013/ 014/ 015/ 016/ 017/ 040/ 041/ 042/ 043/ 044/ 045/ 046/ 047/
050/ 051/ 052/ 053/ 054/ 055/ 056/ 057/ 080/ 081/ 082/ 083/ 084/ 085/
086/ 087/ 090/ 091/ 092/ 093/ 094/ 095/ 096/ 097/ 120/ 121/ 122/ 123/
124/ 125/ 126/ 127/ 130/ 131/ 132/ 133/ 134/ 135/ 136/ 137/ 198/ 199

7.3 Rotary handles

Direct

- DPX³ direct rotary handle ref. 4 210 01
- DPX³ emergency direct rotary handle ref. 4 210 02

Vari-depth handle IP55

- DPX³ vari depth rotary handle ref. 4 210 04
- DPX³ emergency vari depth rotary handle ref. 4 210 05

Locking accessories

- Ronis type flat key (cod. ABA90GEL6149) for direct rotary handle ref. 4 210 06
- Profalux type star key (cod. HBA90GPS6149) for direct rotary handle ref. 4 210 07
- Ronis type flat key (cod. ABA90GEL6149) for vari-depth handle ref. 4 210 08
- Profalux type flat key (cod. HBA90GPS6149) for vari-depth handle ref. 4 210 09

7.4 Mechanical accessories

Insulated shields (phase barriers)

- Set of 36 ref. 4 210 70

Sealable terminal shields

- sealable terminal shield for rear terminals 3P ref. 4 210 50
- sealable terminal shield for rear terminals 4P ref. 4 210 51
- sealable terminal shield for front spreaders 3P ref. 4 210 54
- sealable terminal shield for front spreaders 4P ref. 4 210 55

Padlocks

- DPX³ padlock accessory for handle ("open" position) ref. 4 210 49

Interlock

- DPX³ interlock for fixed version ref. 4 210 58
- DPX³ interlock for plug-in / draw-out version ref. 4 210 59

7.5 Connection accessories

Cage terminals

- terminals for Cu cables kit (3) - flex 1x70mm², rigid 1x95mm², bar/cable lug 14mm ref. 4 210 93
- terminals for Cu cables kit (4) - flex 1x70mm², rigid 1x95mm², bar/cable lug 14mm ref. 4 210 94
- high capacity terminals for Al or Cu cables kit (3) - flex 1x120mm², rigid 1x150mm², bar/cable lug 18mm ref. 4 210 26
- high capacity terminals for Al or Cu cables kit (4) - flex 1x120mm², rigid 1x150mm², bar/cable lug 18mm ref. 4 210 27
- rack screw and nut for cable lug kit (3) ref. 4 210 28
- rack screw and nut for cable lug kit (4) ref. 4 210 29

Front spreaders

- DPX³ front spreaders for 3P DPX³ 160 (set of 3) ref. 4 210 32
- DPX³ front spreaders for 4P DPX³ 160 (set of 4) ref. 4 210 33

Rear terminals

- DPX³ flat rear terminals for 3P DPX³ 160 (set of 3) ref. 4 210 36
- DPX³ flat rear terminals for 4P DPX³ 160 (set of 4) ref. 4 210 37

7.6 Plug-in version

Bases

- front/rear terminals plug-in base 3P DPX³ 160 ref. 4 210 40
- front/rear terminals plug-in base 4P (with or without earth leakage module) ref. 4 210 41

Locking accessories

- Ronis type flat key (cod. ABA90GEL6149) for plug-in base ref. 4 210 45

- Profalux type star key (cod. HBA90GPS6149) for plug-in base ref. 4 210 46
- padlock accessory for plug-in base ref. 4 210 47

7.7 Motor operator

- side motor operator 24-230 Vac/dc ref. 4 210 60
- front motor operator 24-230 Vac/dc ref. 4 210 61

Locking accessories for front motor operator

- Ronis type flat key (cod. ABA90GEL6149) for front motor operator ref. 4 210 62
- Profalux type flat key (cod. HBA90GPS6149) for front motor operator ref. 4 210 63
- padlock selector for front motor operator ref. 4 210 64

Locking accessories for side motor operator

- Ronis type flat key (cod. ABA90GEL6149) for side motor operator ref. 4 210 65
- Profalux type flat key (cod. HBA90GPS6149) for side motor operator ref. 4 210 66
- padlock selector for side motor operator ref. 4 210 67

DIN plate

- DPX³ din plate for motor operator DPX³ 160 ref. 4 210 68
- Installation kit for non-XL³ enclosures ref. 4 210 76

7.8 Mounting on rail fixing plate

- DPX³ 160 3P/4P without earth leakage module ref. 4 210 71
- DPX³ 160 3P/4P with side mounting motor operator ref. 4 210 68

7.9 Spare parts

- Fixing screws (set of 4) for plate installation ref. 4 210 81
- Battery kit (batteries + extractor) for 1 breaker ref. 4 210 82
- Fixing screws (set of 12) for DIN installation ref. 4 210 84
- Mini USB cap (for 20 device) - light grey colour ref. 4 210 89
- Plug-in base kit (for 1 breaker 3P or 4P) ref. 4 210 90
- Compact terminal shields 4P (set of 2) ref. 4 210 96
- Generic seals kit (for 4x seal kit) ref. 4 210 95

DPX³ 160

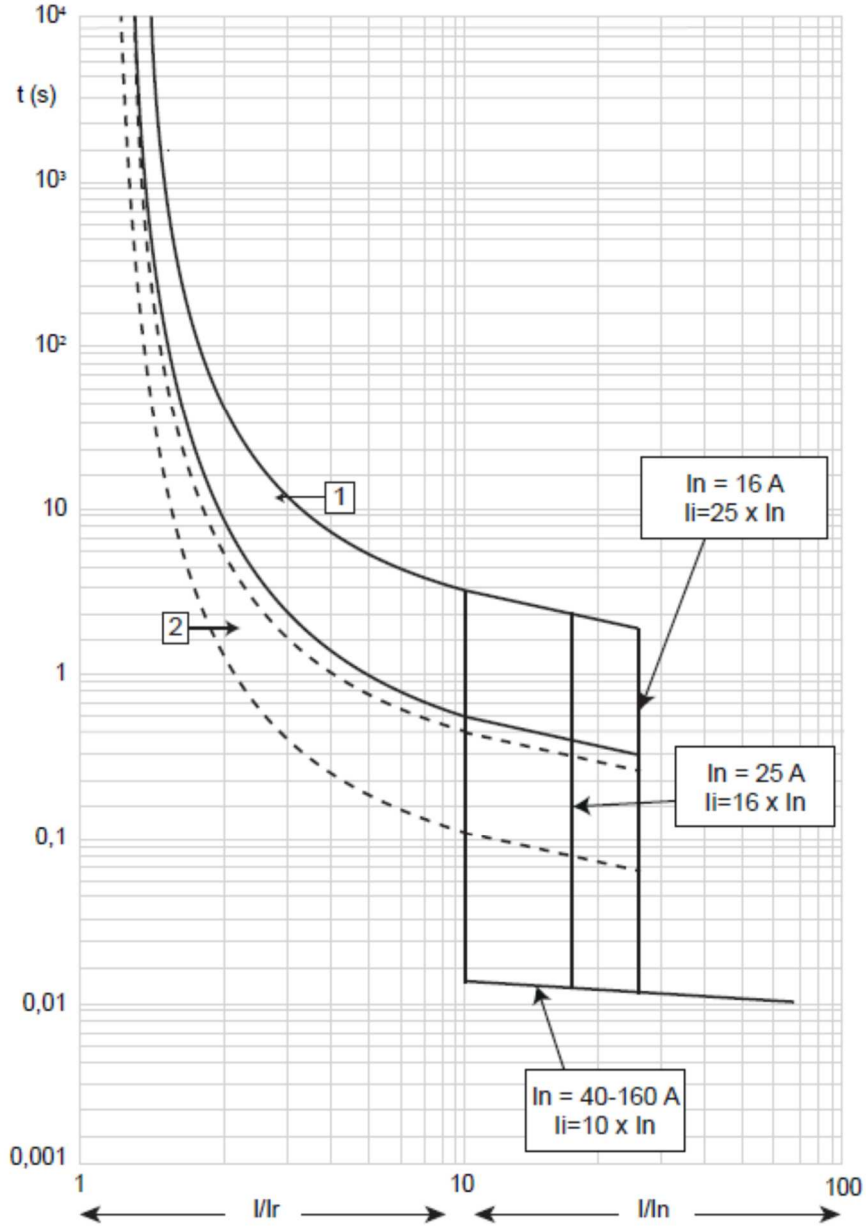
Thermal magnetic and trip-free switches

DPX³-I 160

Reference(s) : 420 000/ 001/ 002/003/ 004/ 005/ 006/ 007/ 010/ 011/
 012/ 013/ 014/ 015/ 016/ 017/ 040/ 041/ 042/ 043/ 044/ 045/ 046/ 047/
 050/ 051/ 052/ 053/ 054/ 055/ 056/ 057/ 080/ 081/ 082/ 083/ 084/ 085/
 086/ 087/ 090/ 091/ 092/ 093/ 094/ 095/ 096/ 097/ 120/ 121/ 122/ 123/
 124/ 125/ 126/ 127/ 130/ 131/ 132/ 133/ 134/ 135/ 136/ 137/ 198/ 199

8. CURVES

8.1 Thermal magnetic tripping curve



$I_{cu} = 16-25-36-50 \text{ kA}$ $I_{max} = 160\text{A}$ 3-4 P $U_e = 415\text{Vac}$

Value	Description
t	time
I	current
I_n	rated current
I_r	long time setting current
curve 1	characteristic with cold start
curve 2	characteristic with hot start

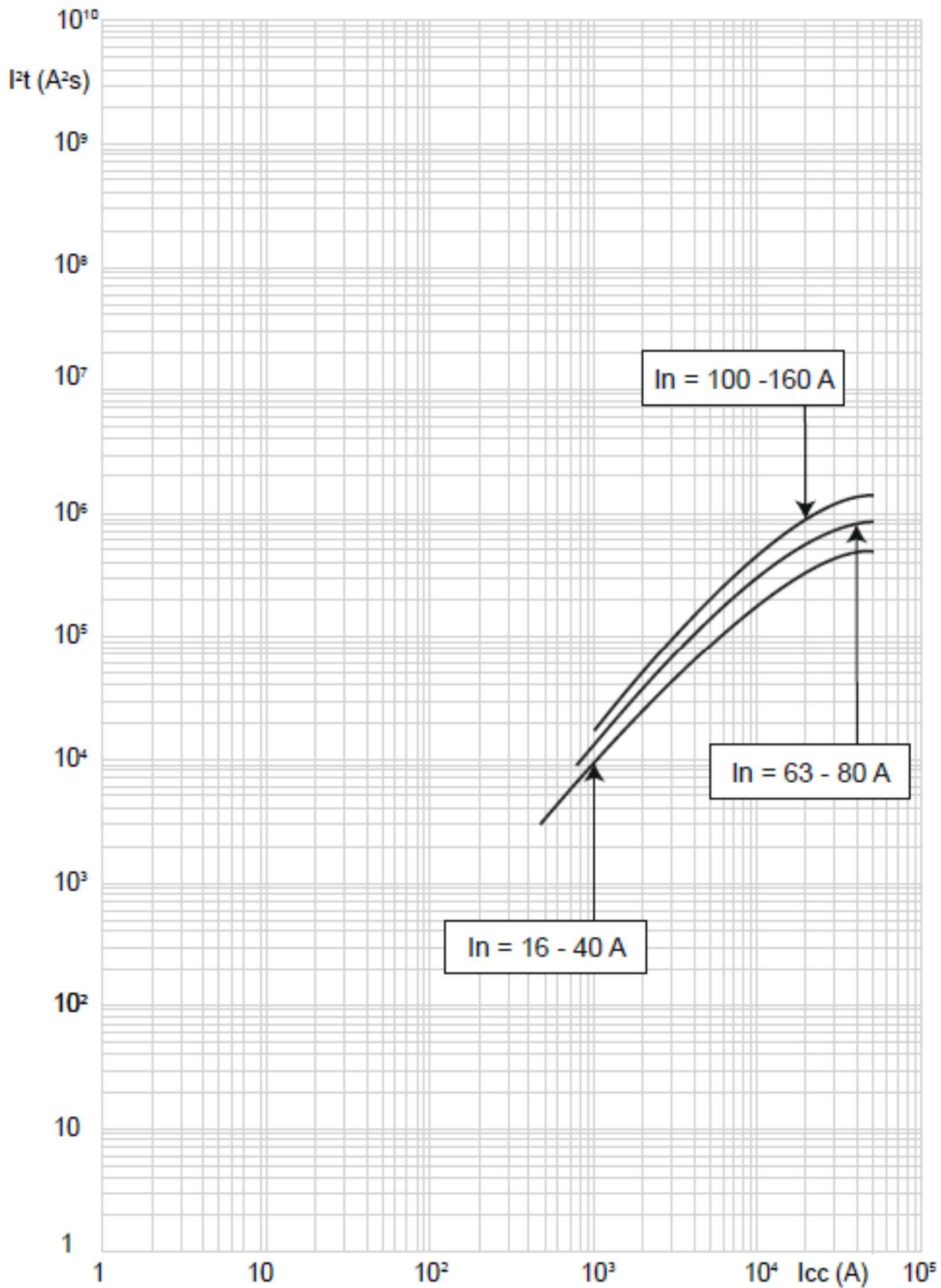
DPX³ 160

Thermal magnetic and trip-free switches

DPX³-I 160

Reference(s) : 420 000/ 001/ 002/003/ 004/ 005/ 006/ 007/ 010/ 011/
 012/ 013/ 014/ 015/ 016/ 017/ 040/ 041/ 042/ 043/ 044/ 045/ 046/ 047/
 050/ 051/ 052/ 053/ 054/ 055/ 056/ 057/ 080/ 081/ 082/ 083/ 084/ 085/
 086/ 087/ 090/ 091/ 092/ 093/ 094/ 095/ 096/ 097/ 120/ 121/ 122/ 123/
 124/ 125/ 126/ 127/ 130/ 131/ 132/ 133/ 134/ 135/ 136/ 137/ 198/ 199

8.2 Pass-through specific energy characteristic curve



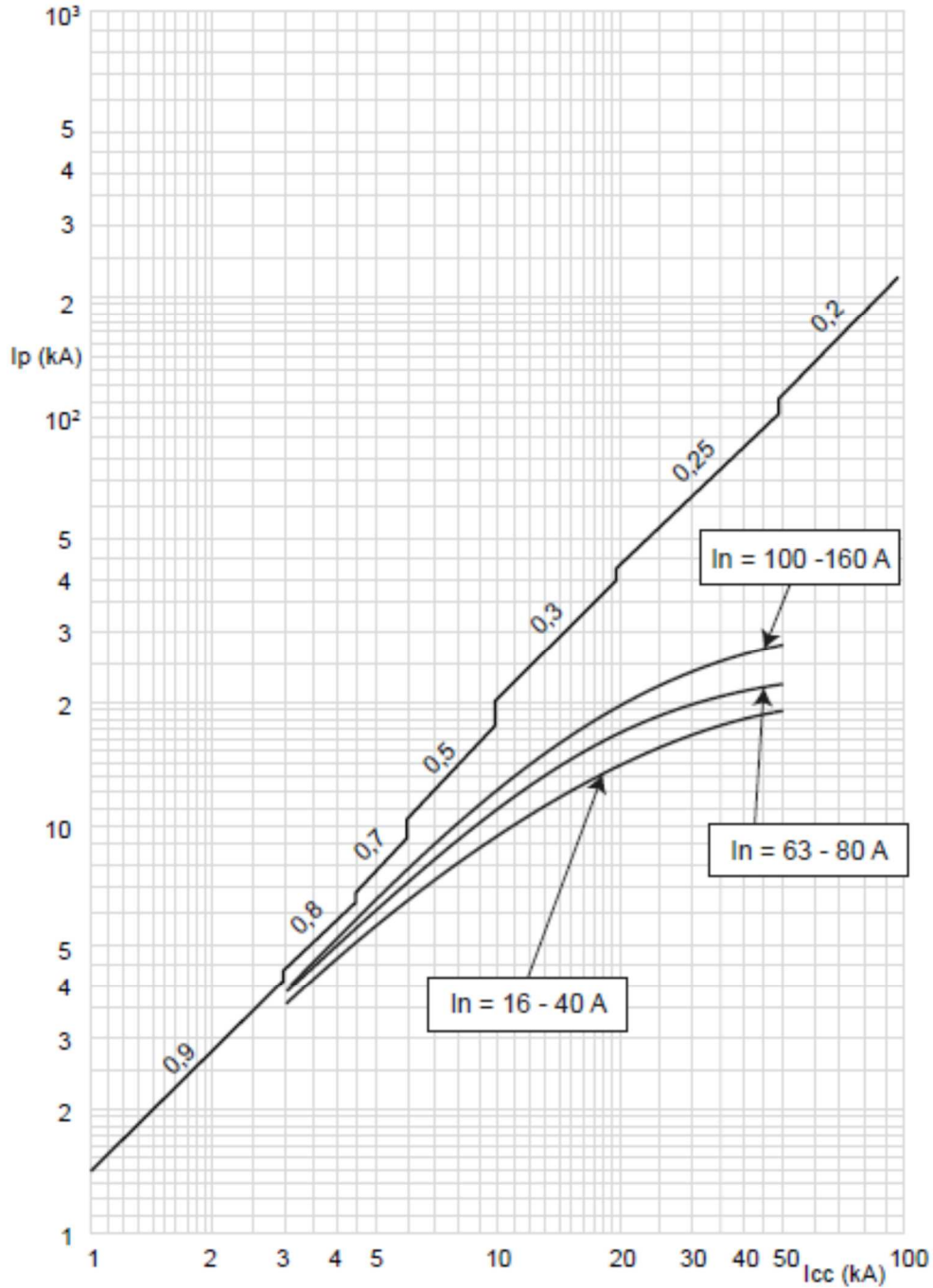
$I_{cu} = 16-25-36-50$ kA $I_{max} = 160$ A 3-4 P $U_o = 415$ Vac

Value	Description
I_{cc}	short circuit current
I^2t (A ² s)	pass-through specific energy

DPX³ 160
Thermal magnetic and trip-free switches
DPX³-I 160

Reference(s) : 420 000/ 001/ 002/003/ 004/ 005/ 006/ 007/ 010/ 011/
 012/ 013/ 014/ 015/ 016/ 017/ 040/ 041/ 042/ 043/ 044/ 045/ 046/ 047/
 050/ 051/ 052/ 053/ 054/ 055/ 056/ 057/ 080/ 081/ 082/ 083/ 084/ 085/
 086/ 087/ 090/ 091/ 092/ 093/ 094/ 095/ 096/ 097/ 120/ 121/ 122/ 123/
 124/ 125/ 126/ 127/ 130/ 131/ 132/ 133/ 134/ 135/ 136/ 137/ 198/ 199

8.3 Cut-off peak current characteristic curve (kA)



$I_{cu} = 16-25-36-50 \text{ kA}$ $I_{max} = 160\text{A}$ 3-4 P $U_e = 415\text{Vac}$

Value	Description
I_{cc}	estimated short circuit symmetrical current (RMS value)
I_p	maximum short circuit peak current
	maximum prospective short circuit peak current corresponding at the power factor
	maximum real peak short circuit current

DPX³ 160

Thermal magnetic and trip-free switches

DPX³-I 160

Reference(s) : 420 000/ 001/ 002/003/ 004/ 005/ 006/ 007/ 010/ 011/
 012/ 013/ 014/ 015/ 016/ 017/ 040/ 041/ 042/ 043/ 044/ 045/ 046/ 047/
 050/ 051/ 052/ 053/ 054/ 055/ 056/ 057/ 080/ 081/ 082/ 083/ 084/ 085/
 086/ 087/ 090/ 091/ 092/ 093/ 094/ 095/ 096/ 097/ 120/ 121/ 122/ 123/
 124/ 125/ 126/ 127/ 130/ 131/ 132/ 133/ 134/ 135/ 136/ 137/ 198/ 199

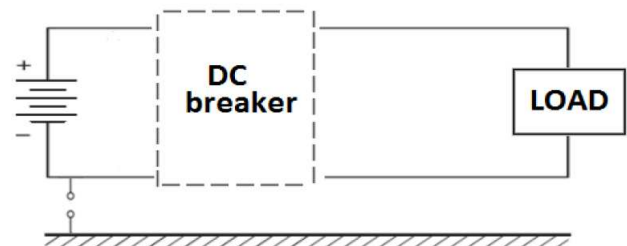
A) Derating Temperature and configurations

Fixed version		Ambient temperature									
		30 °C		40 °C		50 °C		60 °C		70 °C	
		I_{max} (A)	I_r / I_n	I_{max} (A)	I_r / I_n	I_{max} (A)	I_r / I_n	I_{max} (A)	I_r / I_n	I_{max} (A)	I_r / I_n
DPX ³ 160 fixed - vertical installation	Flexible cable	160	1	152	0.95	152	0.95	146	0.91	138	0.86
	Flexible cable + sealable terminal shields	152	0.95	144	0.9	144	0.9	144	0.9	138	0.86
	Semirigid cable	160	1	152	0.95	152	0.95	146	0.91	138	0.86
	Semirigid cable + sealable terminal shields	152	0.95	144	0.9	144	0.9	144	0.9	138	0.86
	Clamps, flexible cable	160	1	152	0.95	152	0.95	146	0.91	138	0.86
	Clamps, flexible cable + sealable terminal shields	152	0.95	152	0.95	144	0.9	144	0.9	138	0.86
	Clamps, semirigid cable	160	1	152	0.95	152	0.95	146	0.91	138	0.86
	Clamps, semirigid cable + sealable terminal shields	152	0.95	152	0.95	144	0.9	144	0.9	138	0.86
	Cage terminals, flexible cable	160	1	160	1	160	1	146	0.91	138	0.86
	Cage terminals, semirigid cable	160	1	160	1	160	1	146	0.91	138	0.86
	Spreaders, flexible cable	160	1	160	1	160	1	146	0.91	138	0.86
	Spreaders, semirigid cable	160	1	160	1	160	1	146	0.91	138	0.86
	Rear terminals, flexible cable	160	1	160	1	160	1	146	0.91	138	0.86
	Rear terminals, flexible cable + sealable terminal shields	160	1	160	1	160	1	146	0.91	138	0.86
	Rear terminals, semirigid cable	160	1	160	1	160	1	146	0.91	138	0.86
	Rear terminals, semirigid cable + sealable terminal shields	160	1	160	1	160	1	146	0.91	138	0.86
DPX ³ 160 fixed - horizontal installation	Flexible cable	160	1	152	0.95	152	0.95	146	0.91	138	0.86
	Flexible cable + sealable terminal shields	152	0.95	144	0.9	144	0.9	144	0.9	138	0.86
	Semirigid cable	160	1	152	0.95	152	0.95	146	0.91	138	0.86
	Semirigid cable + sealable terminal shields	152	0.95	144	0.9	144	0.9	144	0.9	138	0.86
	Clamps, flexible cable	152	0.95	152	0.95	152	0.95	146	0.91	138	0.86
	Clamps, flexible cable + sealable terminal shields	144	0.9	144	0.9	144	0.9	144	0.9	138	0.86
	Clamps, semirigid cable	152	0.95	152	0.95	152	0.95	146	0.91	138	0.86
	Clamps, semirigid cable + sealable terminal shields	144	0.9	144	0.9	144	0.9	144	0.9	138	0.86
	Cage terminals, flexible cable	160	1	152	0.95	152	0.95	146	0.91	138	0.86
	Cage terminals, semirigid cable	160	1	152	0.95	152	0.95	146	0.91	138	0.86
	Spreaders, flexible cable	160	1	160	1	160	1	146	0.91	138	0.86
	Spreaders, semirigid cable	160	1	160	1	160	1	146	0.91	138	0.86
	Rear terminals, flexible cable	160	1	160	1	160	1	146	0.91	138	0.86
	Rear terminals, flexible cable + sealable terminal shields	160	1	160	1	160	1	146	0.91	138	0.86
	Rear terminals, semirigid cable	160	1	160	1	160	1	146	0.91	138	0.86
	Rear terminals, semirigid cable + sealable terminal shields	160	1	160	1	160	1	146	0.91	138	0.86

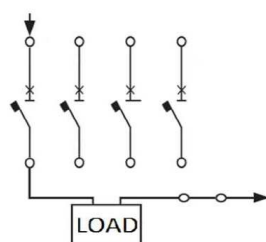
B) Breaking capacity in DC (kA)

I_{cu} (kA)	I_n (A)	1 pole *				2 poles in series *			3 poles in series *		
		60 V	60 V	110 V	250 V	110 V	250 V	500 V	110 V	250 V	500 V
16	16 ÷ 160	16	16	16	10	16	10	10			
25	16 ÷ 160	25	25	25	10	25	10	10			
36	16 ÷ 160	35	36	35	10	36	10	10			
50	16 ÷ 160	35	50	35	10	50	10	10			

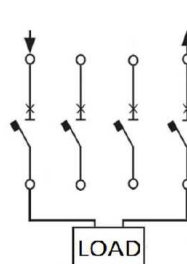
These values are applied to DC networks insulated from the ground
 (this diagram applies to both 3P and 4P circuit breakers):



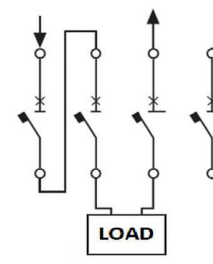
* Connection modality of the DC breaker:



1 pole



2 poles in series



3 poles in series